

[← Back](#)

## TELEMATICS COMPUTER: REMOVAL - REFITTING



Caution, one or more warnings are listed in this method



### Material

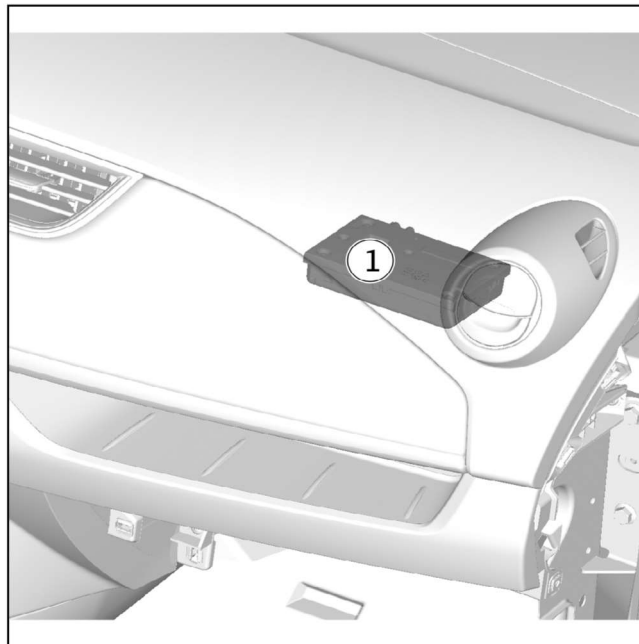
Diagnostic tool

## INTRODUCTION



### WARNING

Before carrying out any operation on a vehicle fitted with the Stop & Start system, always follow the safety instructions (see, vehicle : precautions for the repair)



RPR-001044301-03-000269030

The telematics computer

(1) is located above the navigation computer.

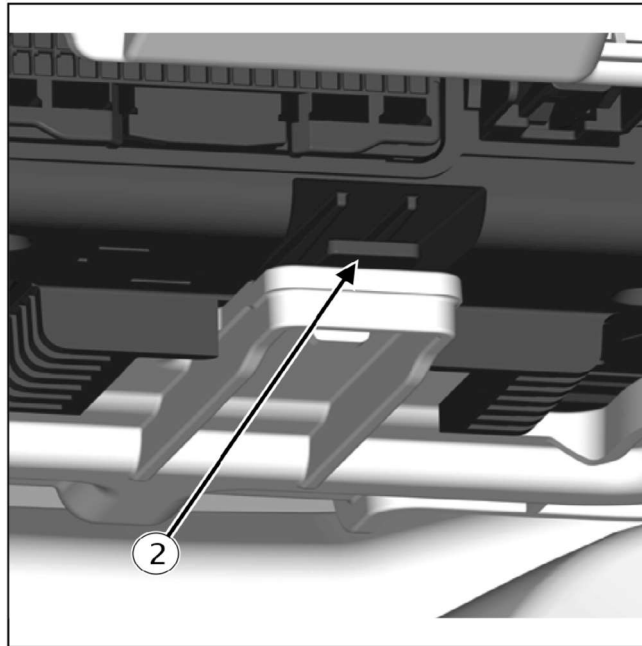
### **1 - REMOVAL**

#### **1.1 - PREPARATION FOR REMOVAL**

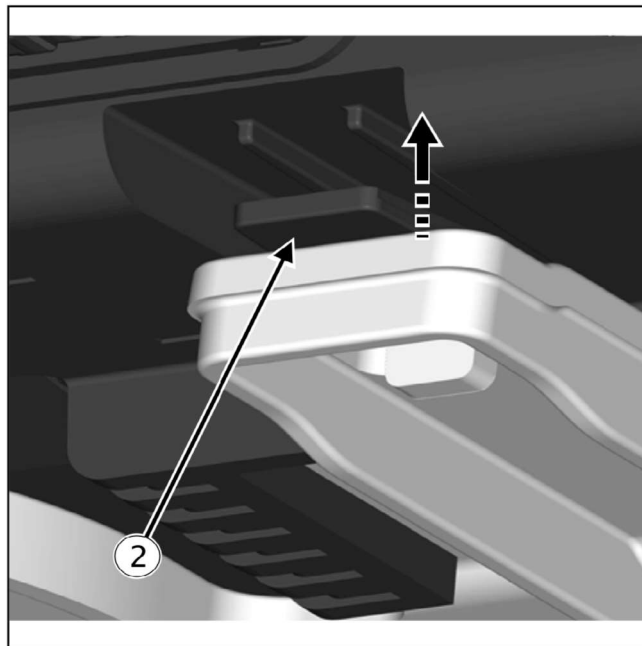
- Switch off the ignition.
- Disconnect the 12 V battery (see, 12 V battery : removal - refitting) .

- Remove the glovebox (see, glovebox : removal - refitting) .
- Remove the navigation computer (see, navigation computer : removal - refitting) .

## 1.2 - REMOVAL

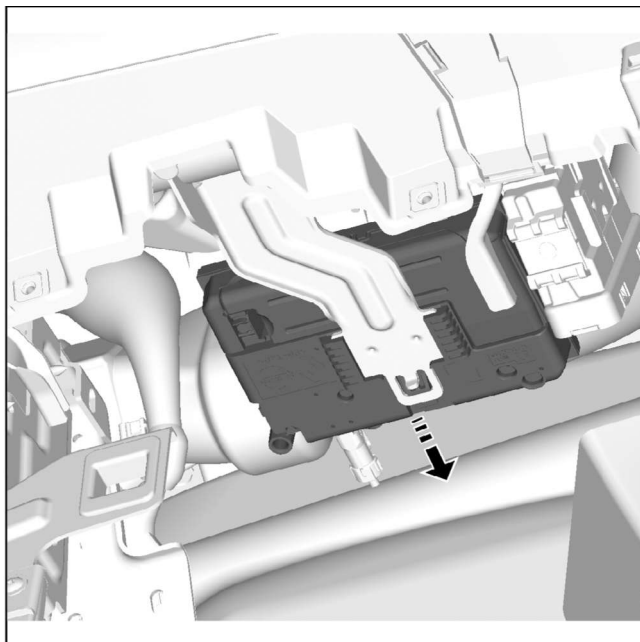


RPR-001044301-01-000214892



RPR-001044301-02-000214894

- Disconnect the telematics computer connectors.
- Unclip the clip (2) in the direction indicated by the arrow.



RPR-001044301-04-000269032

- Remove the telematics computer in the direction indicated by the arrow.

## **2 - REFITTING**



### **CAUTION**

To avoid damage to the wiring harness when refitting, observe the original routing.

- Proceed in the reverse order to the removal operations.
- In the event of replacement, apply the before repair procedure using the **Diagnostic tool**:
  - connect the **Diagnostic tool**,
  - select "Telematics computer",
  - go to repair mode,
  - display the "Before/after repair procedure" for the computer selected,
  - Select "Telematics computer" in the "List of the components controlled by this computer" section,
  - carry out the operations described in the 'Before repair procedure' section.

## **3 - REPLACING THE BATTERY**

- If replacing the battery (see, telematics computer battery: removal - refitting) .

Version : A.3