

[← Back](#)

CAN CENTRAL GATEWAY: REMOVAL - REFITTING



Caution, one or more warnings are listed in this method



Material

Diagnostic tool

INTRODUCTION



WARNING

To avoid any risk of damage to the systems, apply the safety and cleanliness instructions and operation recommendations before carrying out the repair:

- (see, wiring : precautions for the repair) ,
- (see, vehicle : precautions for the repair) .

1 - REMOVAL

1.1 - REMOVAL PREPARATION OPERATION

- Apply the procedure before repair using the **Diagnostic tool** (see, diagnostic tool : use) :
 - Computer affected by the Before repair procedure:
 - CAN central gateway.



WARNING

DANGER: Risk of serious injury due to short-circuiting or untimely triggering of an electrical system (pyrotechnic components, windscreen wiper motor, fan assembly etc.) following possible re-supply of the 12 V supply circuit by the voltage converter.

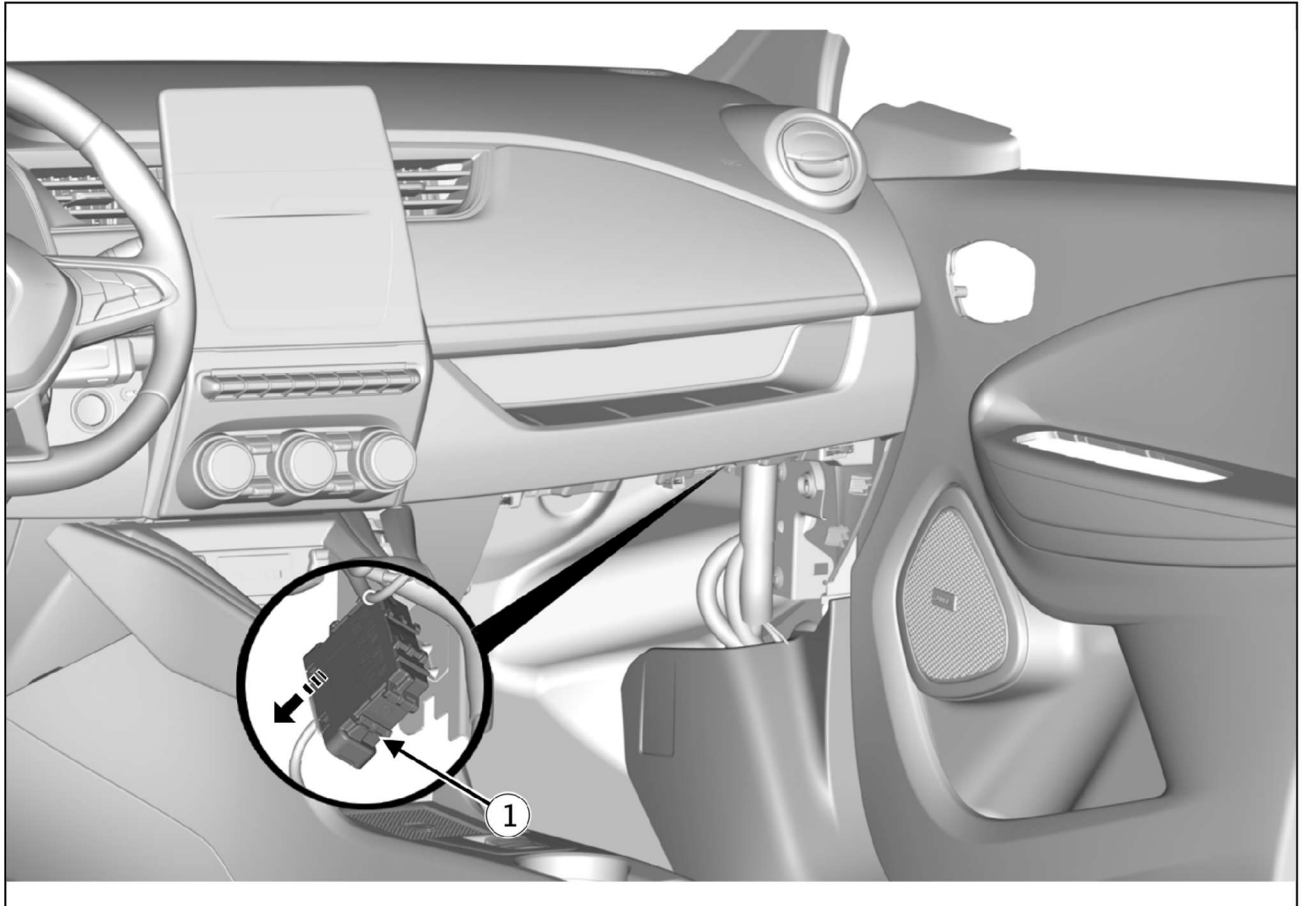
Please follow the instructions regarding lockout of the 12 V supply circuit.

If the procedure fails, do not continue with your task and ask an employee who is qualified and authorised to work on a high-voltage onboard network to perform fault finding (see, vehicle : precautions for the repair) .

- Lock out the 12 V supply circuit (see, 12 V supply circuit : lockout - removal of lockout) .

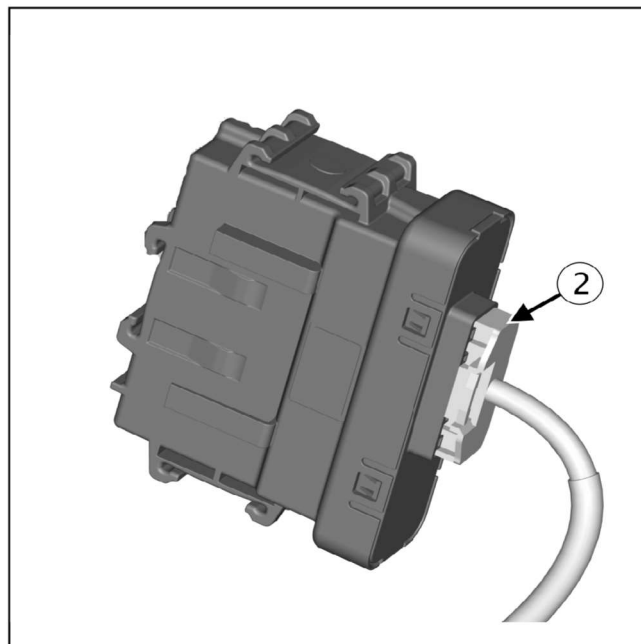
- Remove the glovebox (see, dashboard assembly : exploded view) .

1.2 - REMOVAL



RPR-001030458-01-000270126

- Unclip the CAN central gateway (1) from the dashboard cross member.



RPR-001030458-02-000270128

- Disconnect the connector (2) from the CAN central gateway.
- Remove the CAN central gateway.

2 - REFITTING

2.1 - REFITTING OPERATION

- Proceed in the reverse order to removal.

2.2 - FINAL OPERATION

- Remove the lockout of the 12 V supply circuit (see, 12 V supply circuit : lockout - removal of lockout) .
- Apply the after repair procedure using the **Diagnostic tool** (see, diagnostic tool : use) :

-

Computer affected by the after repair procedure:

- CAN central gateway.

Version : A.3