

[← Back](#)

CAR RADIO: REMOVAL - REFITTING



Caution, one or more warnings are listed in this method



Material
Diagnostic tool

INTRODUCTION



WARNING

Before carrying out any operation on a vehicle fitted with the Stop & Start system, always follow the safety instructions (see, vehicle : precautions for the repair) .



CAUTION

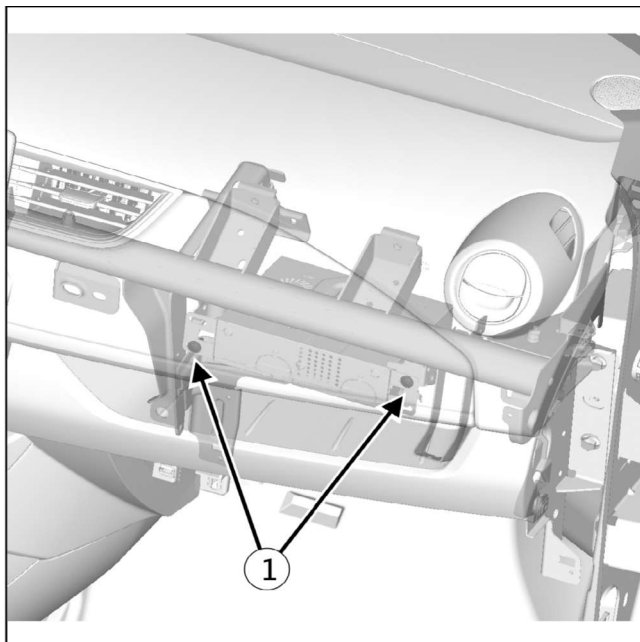
To prevent damage to the car radio, wait 1 min after switching off the + After ignition feed.

1 - REMOVAL

1.1 - REMOVAL OPERATION PREPARATION

- In the event of replacement, apply the before repair procedure using the **Diagnostic tool**:
 - connect the **Diagnostic tool**,
 - select 'Radio',
 - go to repair mode,
 - display the "Before/after repair procedure" for the computer selected,
 - select 'Radio' in the 'List of components controlled by this computer' section,
 - carry out the operations described in the 'Before repair procedure' section.
- Disconnect the 12 V battery (see, 12 V battery : removal - refitting) .
- Remove the glovebox (see, glovebox : removal - refitting) .

1.2 - REMOVAL



RPR-001044295-01-000269040

- Remove the car radio bolts (1) .
- Remove the car radio by pulling it out at the front.
- Disconnect the connectors.

2 - REFITTING

- Proceed in the reverse order to removal operations.
- In the event of replacement, apply the before repair procedure using the **Diagnostic tool**:
 - connect the **Diagnostic tool**,
 - select 'Radio',
 - go to repair mode,
 - display the "Before/after repair procedure" for the computer selected,
 - select 'Radio' in the 'List of components controlled by this computer' section,
 - carry out the operations described in the 'Before repair procedure' section.

Version : A.4