

[← Back](#)

GLOVEBOX: REMOVAL - REFITTING



Caution, one or more warnings are listed in this method



INTRODUCTION



WARNING

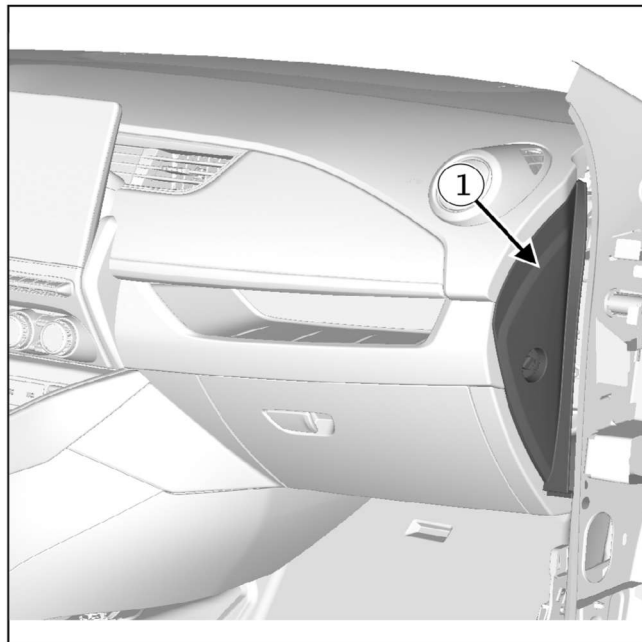
Before carrying out any operation on a vehicle fitted with the Stop & Start system, always follow the safety instructions (see, vehicle : precautions for the repair) .

1 - REMOVAL

1.1 - REMOVAL PREPARATION OPERATION

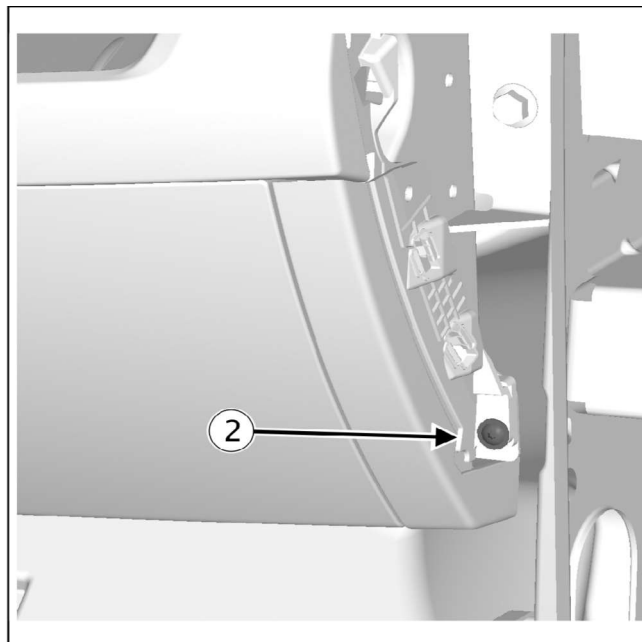
- Disconnect the battery (see, 12 V battery : removal - refitting) .

1.2 - REMOVAL OPERATION



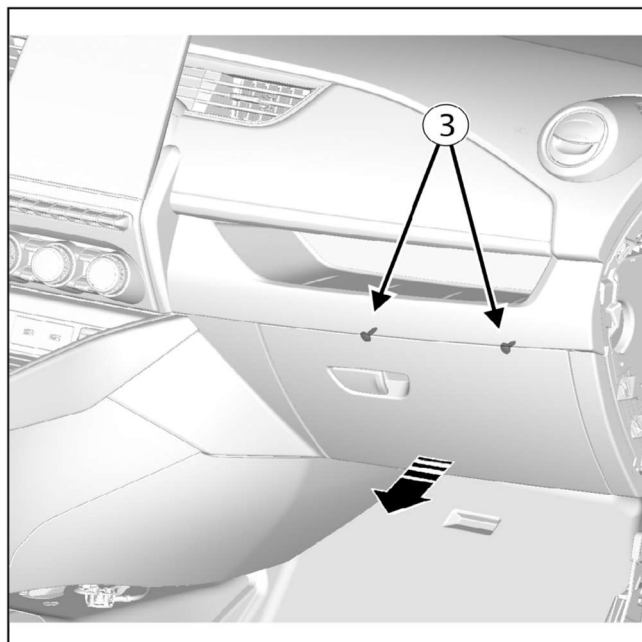
RPR-001044140-01-000263608

- Remove the dashboard right-hand panel (1) .



RPR-001044140-02-000263610

- Remove the bolt (2) .



RPR-001044140-03-000263614

- Open the glovebox cover,
- Remove the bolts (3) .
- Remove the glovebox in the direction of the arrow.

2 - REFITTING

- Proceed in the reverse order to removal operations.

Version : A.3