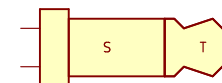
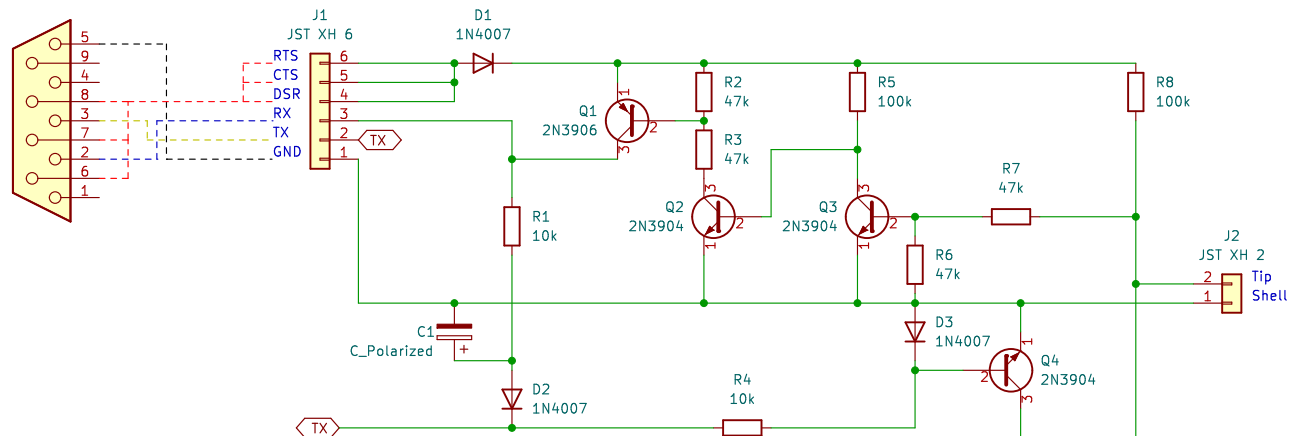


to ATU2.0 or PC



to ICOM CI-V Connector

Sheet: /	
File: ATU 2.0 ICOM Interface.kicad_sch	
<b>Title: ICOM CI-V to RS232 Level Shifter</b>	
Size: A4	Date: 2022-03-03
KiCad E.D.A. kicad (6.0.2-0)	Rev: 1.0
	Id: 1/1